



# USER MANUAL

# SW215P

## passive subwoofer

### KEY FEATURES

- Very High Output
- Compact size for a very good output-to-weight ratio
- Manifolded Transmission Line configuration for very fast transient response

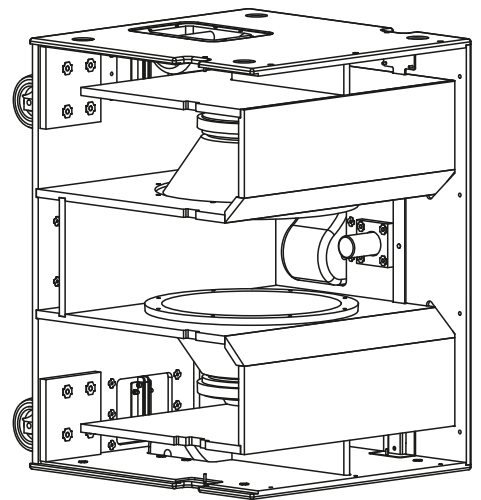
### INTRODUCTION

The SW215P subwoofer is designed to deliver high quality low frequency reproduction where very high output is a key requirement, together with well defined deep bass response and fast transient response. Its compact size and light weight make it suitable for several different uses, ranging from touring applications to fixed installations and high-level dance clubs.

The SW215P is a very high quality powered subwoofer system featuring some of the most advanced technologies for low frequency reproduction. Its unique and innovative design is based on a configuration that can be defined as Manifolded Transmission Line.

It uses manifolding of the front side of the cones to maximize the mutual coupling between the two drivers, while loading the back of the cone with a large-size transmission line that has the function to create a transmission path from the back of the transducers to the front.

The SW215P subwoofer system is equipped with two high power 15" (380mm) transducers capable of long excursion (up to 33mm peak-to-peak), controlled by high stiffness Double Silicon Spider as centering suspension and by heavy duty surround. The motor structure features high strength (BL<sup>2</sup>/Re) with optimized symmetry and excursion controlled by Aluminium Demodulating Ring. The robust copper 75mm (3") voice coil is wound in two different layers both outside and inside the coil support, then doubling the coil surface exposed to air cooling and consequently improving the long term thermal capacity of the loudspeaker. Cones are made of very high-stiffness reinforced paper, featuring also invisible water repellent treatment.



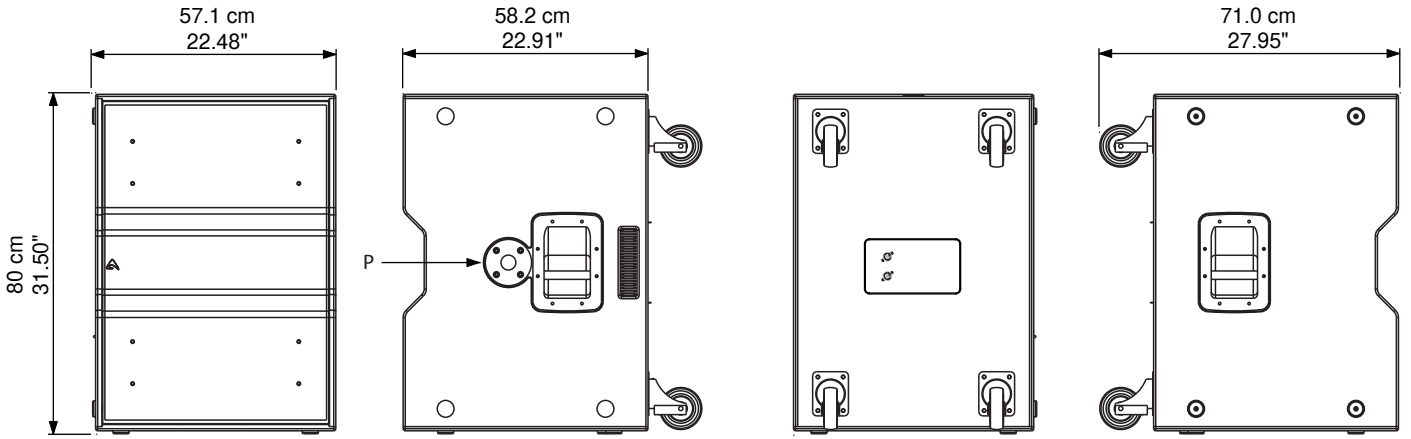
### TECHNICAL SPECIFICATION

Acoustical		Connectors	
System type	Manifolded Band Pass	Connector Type	Neutrik® Speakon® NL4 x 2
		Input Wiring	LF1 = Pin 1+/-; LF2 = Pin 2+/-
Transducer	Two 15" (380 mm), 3" (75 mm) VC, High stiffness water repellent reinforced cone, Flux Demodulating Ring VC, Double Centering Spider Suspension	Mechanical	
		Width	571 mm (22.48")
Frequency response (±3 dB)	39 Hz – 120 Hz (Processed)	Height	800 mm (31.50")
Frequency range (±10 dB)	35 Hz – 300 Hz (Unprocessed)	Depth	582 mm (22.91")
Sensitivity (1.41V @ 1m, 2Pi)	102dB (averaged from 40 to 100Hz)	Depth Including Wheels	710 mm (27.95")
Maximum Peak SPL @ 1m	139 dB	Construction	15 mm, reinforced Phenolic Birch
Electrical		Paint	High resistance, water based paint
Nominal Impedance	8 Ω + 8 Ω	Wheels	4 heavy-load 100 mm ø
Minimum Impedance	6.1 Ω + 6.1 Ω @ 41Hz	Transport	4 handles
Power Handling Continuous*	700 W + 700 W	Net Weight	61 Kg (134.5 lb)
Power Handling Program	900 W + 900 W		
Power Handling Peak	2100 W + 2100 W		
Power Compression	@ -10 dB Power (180 W + 180 W) = 0.8 dB @ -3 dB Power (900 W + 900 W) = 1.5 dB @ 0 dB Power (1800 W + 1800 W) = 2.7 dB		

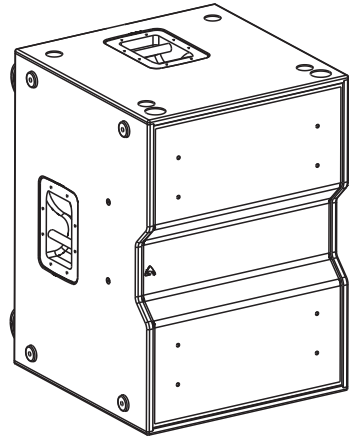
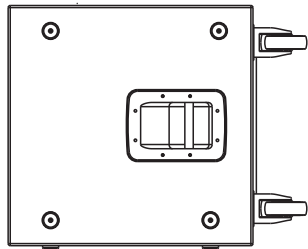
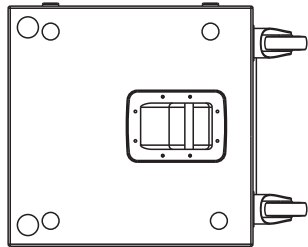
\* AES Pink Noise Power



**MECHANICAL DRAWING**



P = M20 insert for DHSS10M20 pole adaptor for conventional SUB-SAT system.



**OPTIONAL ACCESSORIES**

- NL4FX                Neutrik Speakon® PLUG
- PC260                2 in 6 out digital loudspeaker processor
- USB2CAN            PRONET network converter
- RAINCOV215        Rain cover for input sockets
- DHSS10M20         Sub-Speaker  $\varnothing$ 35mm Pole with M20 screw

see <http://www.axiomproaudio.com/> for detailed description and other available accessories.

**SPARE PARTS**

- AC103GS            100 mm Swivel castor without brake
- AC115DN            Black steel handle
- 98AXM215SW8     15" woofer - 3" VC - 8 ohm
- NL4MP                Neutrik Speakon® panel socket



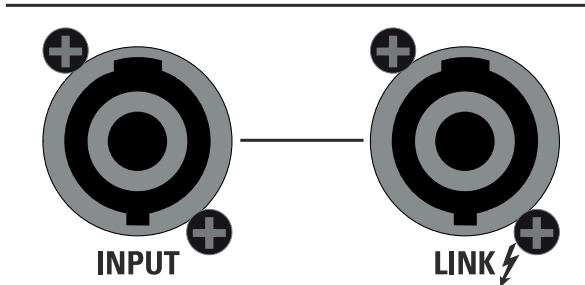


## REAR PANEL

**INPUT** - Power input for the external amplifier. The SW215P does not include a passive crossover for filtering the signal. The connections are the following:

INPUT - LINK	
NL4 pin number	internal connection
1+	LF1+
1-	LF1-
2+	LF2+
2-	LF2-

**WARNING**  
To avoid damage, during use  
both loudspeakers must be connected



**LINK** - Power output in parallel with the INPUT socket for connecting the unit to another speaker. The number of SW215P cabinets that can be connected in parallel depends on the amplifier load capacity.



#### **LIMITED WARRANTY**

Proel warrants all materials, workmanship and proper operation of this product for a period of two years from the original date of purchase. If any defects are found in the materials or workmanship or if the product fails to function properly during the applicable warranty period, the owner should inform about these defects the dealer or the distributor, providing receipt or invoice of date of purchase and defect detailed description. This warranty does not extend to damage resulting from improper installation, misuse, neglect or abuse. Proel S.p.A. will verify damage on returned units, and when the unit has been properly used and warranty is still valid, then the unit will be replaced or repaired. Proel S.p.A. is not responsible for any "direct damage" or "indirect damage" caused by product defectiveness.

- This unit package has been submitted to ISTA 1A integrity tests. We suggest you control the unit conditions immediately after unpacking it.
- If any damage is found, immediately advise the dealer. Keep all unit packaging parts to allow inspection.
- Proel is not responsible for any damage that occurs during shipment.
- Products are sold "delivered ex warehouse" and shipment is at charge and risk of the buyer.
- Possible damages to unit should be immediately notified to forwarder. Each complaint for package tampered with should be done within eight days from product receipt.

#### **SAFETY INSTRUCTIONS**

- To reduce the risk, close supervision is necessary when the product is used near children.
- Protect the apparatus from atmospheric agents and keep it away from water, rain and high humidity places.
- This product should be site away from heat sources such as radiators, lamps and any other device that generate heat.
- This product should be located so that its location or position does not interfere with its proper ventilation and heating dissipation.
- Care should be taken so that objects and liquids do not go inside the product.
- The product should be connected to a power supply mains line only of the type described on the operating instructions or as marked on the product. Connect the apparatus to a power supply using only power cord included making always sure it is in good conditions.
- WARNING: The mains plug is used as disconnect device, the disconnect device shall remain readily operable.
- Do not cancel the safety feature assured by means of a polarized line plug (one blade wider than the other) or with a earth connection.
- Make sure that power supply mains line has a proper earth connection.
- Power supply cord should be unplugged from the outlet during strong thunderstorm or when left unused for a long period of time.

#### **CE CONFORMITY**

Proel products comply with directive 2004/108/EC (EMC), as stated in EN 55103-1 and EN 55103-2 standards and with directive 2006/95/CE (LVD), as stated in EN 60065 standard.

**PROEL S.p.A. (World Headquarter) - Via alla Ruenia 37/43 - 64027 Sant'Omero (Te) - ITALY**  
**Tel: +39 0861 81241 Fax: +39 0861 887862 [www.axiomproaudio.com](http://www.axiomproaudio.com)**

